

**ELECTRONIC BALLAST - T5 Series**

**Standard Electronic**

Program Rapid Start-Series Wired

**Universal Voltage**

**120 ~ 277 V A/C**



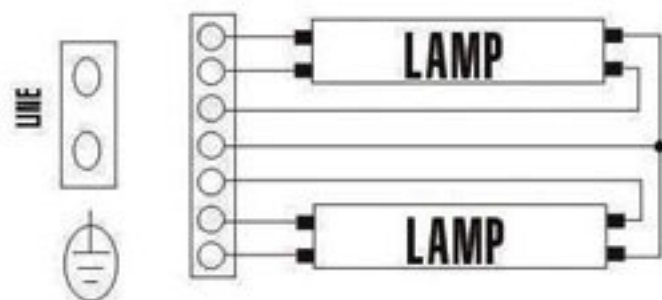
| MODEL UN                   | FTUN282T5 | FTUN352T5 | FTUN281T5 | FTUN351-T5 |
|----------------------------|-----------|-----------|-----------|------------|
| Lamp Quantity              | 2         | 2         | 2         | 1          |
| Lamp Type                  | T5        | T5        | T5        | T5         |
| Lamp Watts                 | 28        | 35        | 28        | 35         |
| Line Current@220V(amperes) | 0.25      | 0.32      | 0.25      | 0.16       |
| Input watts(ANSI)          | 56        | 70        | 28        | 35         |
| Power Factor               | >99%      | >99%      | >99%      | >99%       |
| THD Rating                 | <10%      | <10%      | <10%      | <10%       |
| EOL                        | Yes       | Yes       | Yes       | Yes        |

T5 SERIES

※ Specifications are subject to change without notice

EOL= End of lamp life

**Wiring diagrams**



**Ballast dimensions**

Unit:mm

