

ELECTRONIC BALLAST - T5 Series

Standard Electronic

Program Rapid Start-Series Wired
Single-Voltage Performance: 230V



lamp Operation, 230V +/- 10%, Frequency 50-60Hz

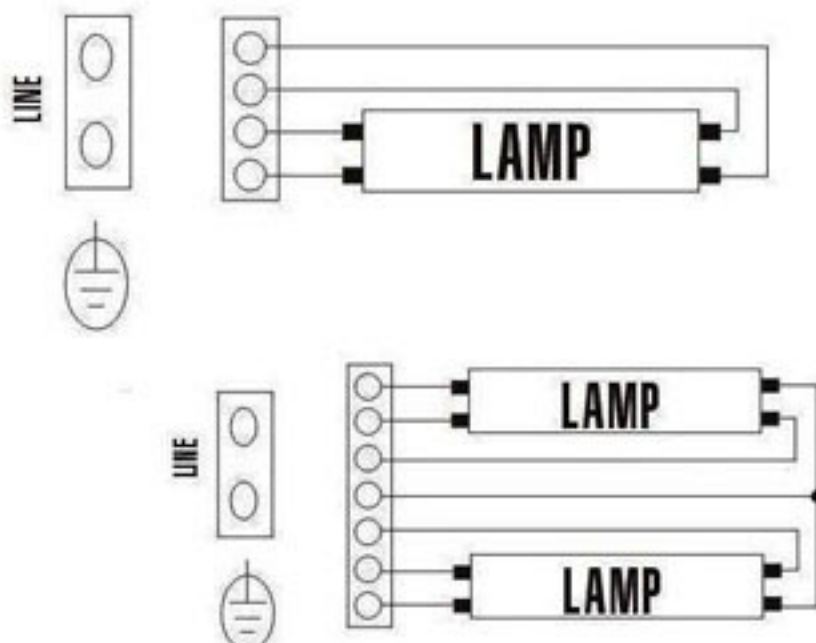
T5 SERIES

MODEL	FT-P142-T5	FT-P282-T5	FT-P352-T5	FT-P351-T5
Lamp Quantity	2	2	2	1
Lamp Type	T5	T5	T5	T5
Lamp Watts	14	28	35	35
Line Current @ 220V (amps)	0.12	0.24	0.30	0.15
Input watts (ANSI)	28	56	70	35
Power Factor	>98%	>98%	>98%	>98%
THD Rating	<12%	<12%	<12%	<12%
EOL	Yes	Yes	Yes	Yes

EOL = End of lamp life

※ Specifications are subject to change without notice

Wiring diagrams



Ballast dimensions

Unit: mm

