

**ELECTRONIC DC BALLAST**

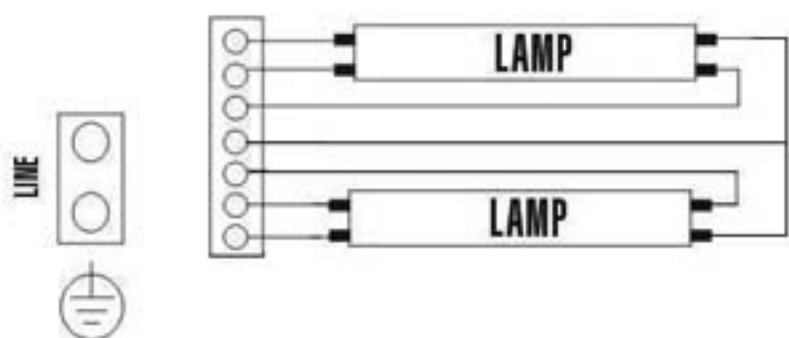
**Electronic  
DC ELECTRONIC BALLAST**



MODEL	FT-DC24361PL	FT-DC2475HID	FT-DC50~90-361	FT-DC242PL
Lamp Type	PL	SODIOM	T8	PL
Lamp Watts	36	75	36	24
Lamp Number	1	1	1	2
input watts(ANSI)	36	70	36	50
Volt DC	24	24	50-90	24
Amper	1.5	3.25	0.5	2
Protection	Yes	Yes	Yes	Yes

※ Specifications are subject to change without notice

**Wiring diagrams**



**Ballast dimensions**

Unit: mm

